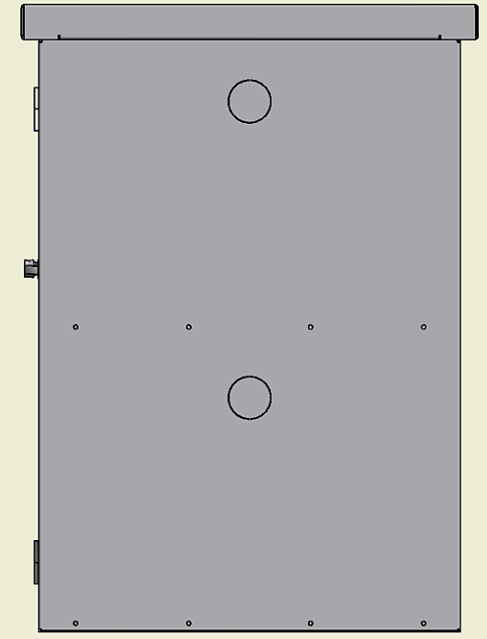
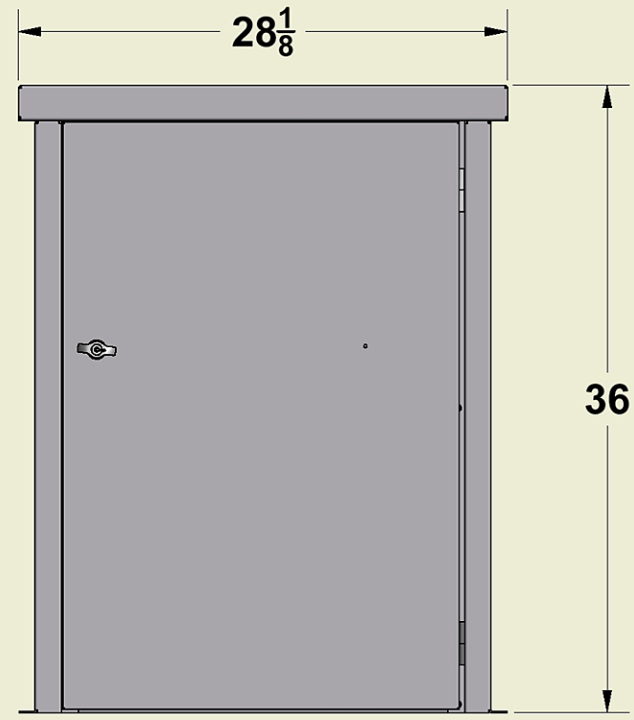
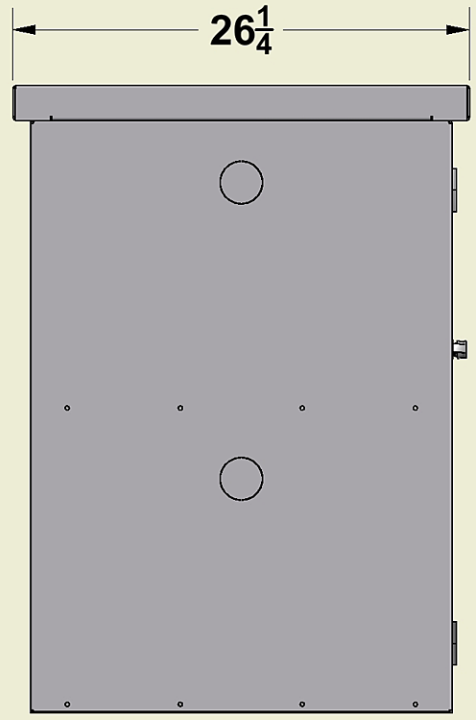



REVISION HISTORY			
REV.	DESCRIPTION OF CHANGE	DATE	SIGN



WEIGHT=91 POUNDS

ALL TOLERANCES, UNLESS OTHERWISE STATED: x.xxx=+/-0.005" x.xx=+/-0.01" x.x=+/-0.05"		DRAWN Bob Q	1/15/2013
ALL ANGLES =+/- 1° UNLESS OTHERWISE STATED		CHECKED	
MATERIAL:	STANDARDS:	QA	
FINISH:		MFG	
PROCESS:		APPROVED	

MID MTE SOLAR, INC 

TITLE **MNBE-8D2x2 REV A FINAL ASSY**

SIZE B	PROJECT: MNBE-8D2X2	DWG NO MNBE-8D2x2 REV A FINAL ASSY	REV A
-----------	------------------------	---------------------------------------	----------

E-FILE:MNBE-8D2x2 REV A FINAL ASSY.iam SHEET 2 OF 2